

HP Z3801A GPS Receiver

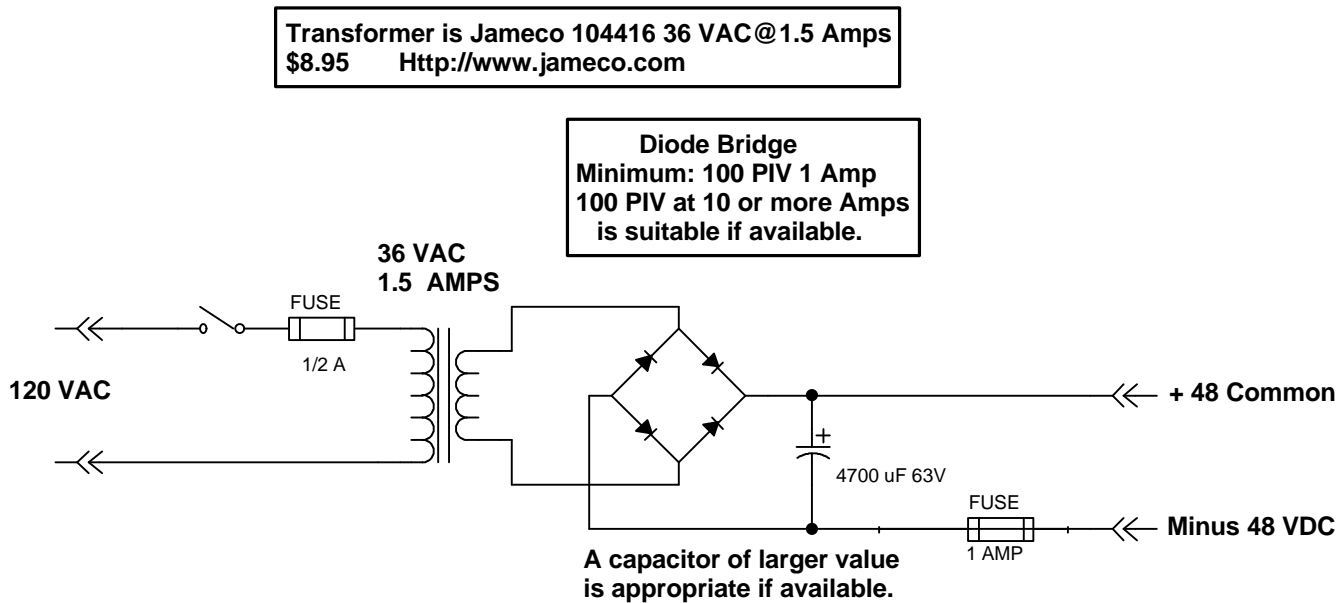
RS-422 to RS-232 Converter

Interface options potpourri

Rev C
5-21-2002

© COPYRIGHT 2001-2002 K8CU
ALL RIGHTS RESERVED

DRAWN BY:	Bill Jones K8CU
PAGE	1 OF 1
DATE:	5-21-2002



*Voltage output is 54 VDC with no load.
During oven warmup, output is 47 VDC.
Expect 48-50 volts during normal operation.
This meets HP power supply specifications
for the -54 volt version Z3801A model.*

A more costly regulated supply is not necessary.

HP Z3801A -48 VDC Power Supply

DRAWN BY: Bill Jones K8CU	
PAGE 1 of 1	DATE: 5-21-2002



COPYRIGHT 2002 K8CU
ALL RIGHTS RESERVED