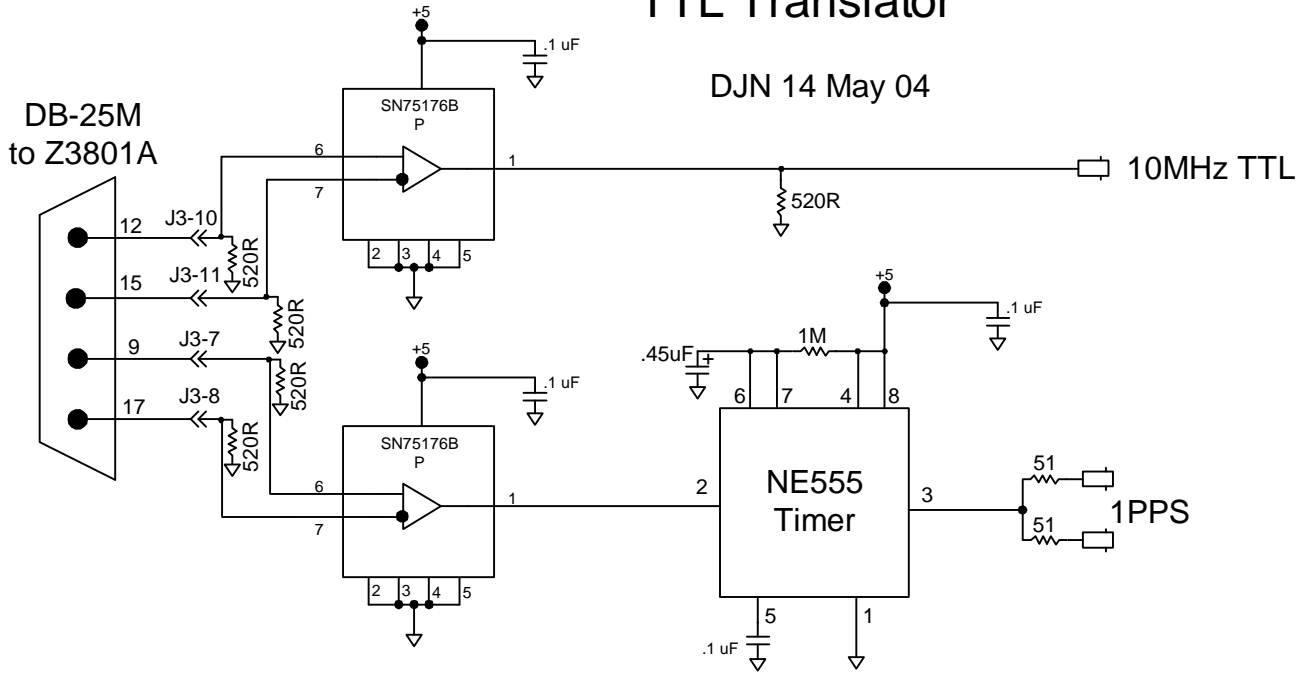


DJN 14 May 04

12 Channel Isolated Distribution Amplifier Schematic

1PPS and 10MHz TTL Translator

DJN 14 May 04



RS-422 TO RS232

Converter

DJN

14 May 04

